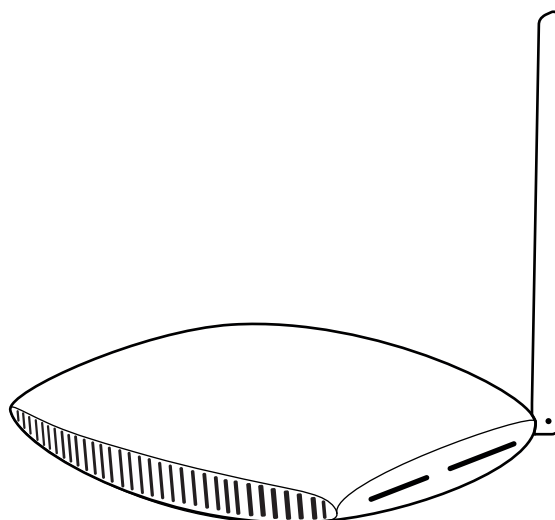


OFFRE ROUTEUR OFFICE



- Vitesse sans fil jusqu'à 150Mbps idéal pour les bureaux ou les petites entreprises,
- 5 en 1 routeur, point d'accès, prolongateur de portée, Wi-Fi bridge et WISP,
- des réseaux invités séparés pour un accès Wi-Fi sécurisé,
- fonction de programmation de l'activation / désactivation du wifi,
- supports WEP, WPA, WPA2, DDNS, QoS, ip/PortMAC filtré, DMZ, Serveur virtuel.



Smart Setup,
No CD Required



Bandwidth Management



Guest Network
for Security & Privacy

BR-6228nS V3

5-in-1 N150 Wi-Fi Router, Access Point, Range Extender, Wi-Fi Bridge & WISP

The BR-6228nS V3 is a 150Mbps 5-in-1 multi-function Wi-Fi solution which supports IEEE 802.11b/g/n standards and provides significantly improved coverage with the Highgain antenna. Operating as a router, access point, range extender, Wi-Fi Bridge or WISP, the BR-6228nS V3's flexibility meets the demands of any networking applications. The smartiQ Setup wizard makes setup and installation as easy as a few clicks. Impressive performance and a competitive price make the BR6228nS V3 a cost-effective solution for home or small office environments.

5-in-1 Wi-Fi Router, Access Point, Range Extender, Wi-Fi Bridge and WISP

The BR-6228nS V3 can work as router, access point, range extender, Wi-Fi Bridge or WISP. Just configure the mode you need for your network environment using the smart iQ Setup wizard.

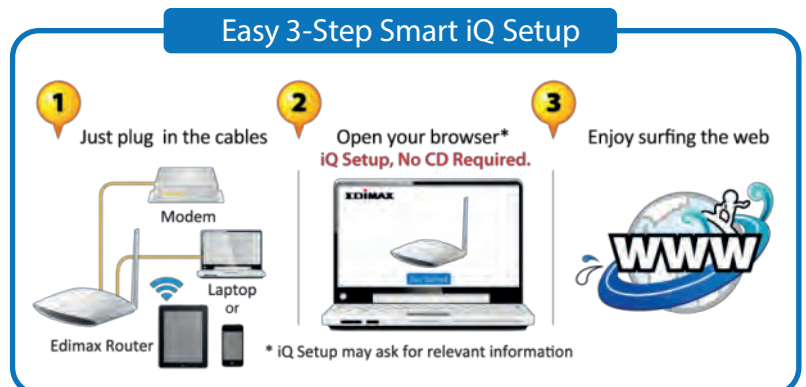


Switch mode using the smart iQ setup wizard on any device with a web browser, no CD required.

*Mobile device setup requires iOS 4.0 or Android 4.0 and above.

Smart iQ Setup

Features iQ Setup for smart, automatic and quick installation with no CD required.

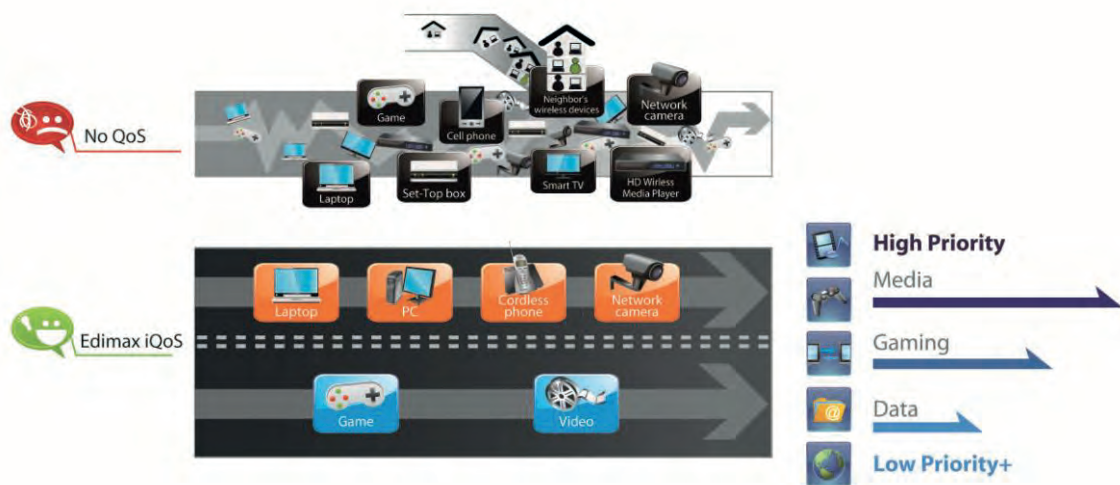


5-in-1 N150 Wi-Fi Router, Access Point, Range Extender, Wi-Fi Bridge & WISP

BR-6228nS V3

Edimax's Revolutionary iQoS

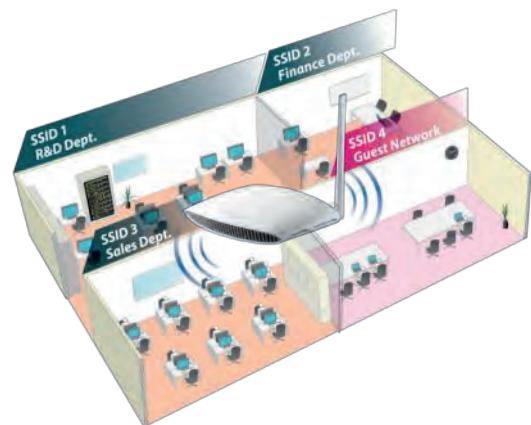
iQoS is Edimax's solution for a quicker, easier, and more effective way to manage Internet bandwidth. While Quality of Service (QoS) functionality is a common feature in routers across the market, typically only advanced users have the knowledge required to set up the complex parameters. Edimax though has redesigned QoS with user-friendliness and accessibility in mind. A simple and intuitive user interface allows users to arrange bandwidth priority settings in just a few clicks. With iQoS, you can enjoy gaming, video streaming, VoIP applications and BT clients at the same time without the usual nightmare of lag and interruptions. An original, efficient and effective means of managing your Internet bandwidth.



Multi-SSID & VLAN Support*

Multi-SSID enables users to configure up to five separate SSIDs in order to group and manage users according to your requirements.

*Access point mode only



Guest Network*

Supports a guest network to provide connectivity while isolating guests from your primary network.

*Router mode only



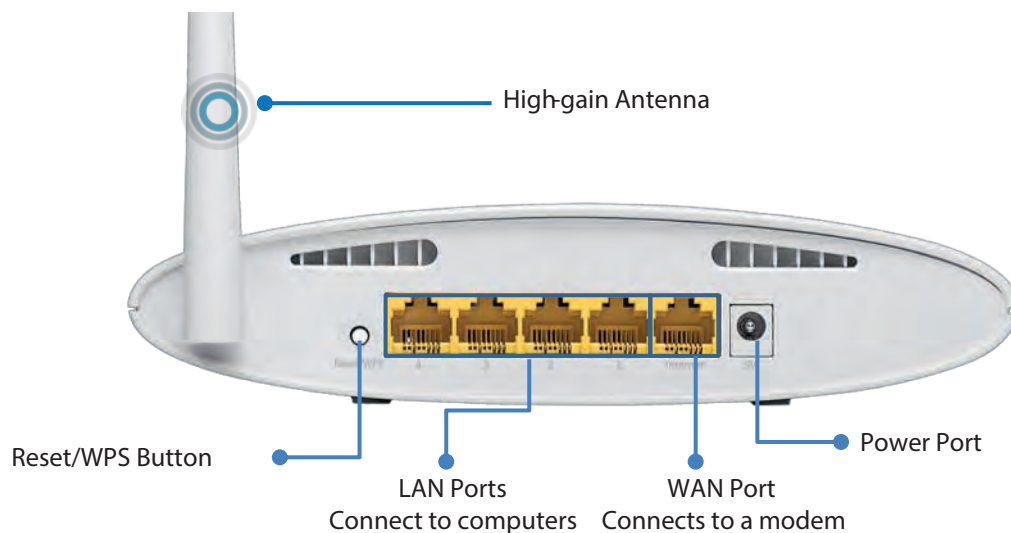
5-in-1 N150 Wi-Fi Router, Access Point, Range Extender, Wi-Fi Bridge & WISP

BR-6228nS V3

TECHNICAL SPECIFICATIONS

FUNCTIONS	HARDWARE INTERFACE	MANAGEMENT
<ul style="list-style-type: none"> Supports router, access point, range extender, Wi-Fi Bridge and WISP modes Guest Wi-Fi network in Router mode Up to 5 SSIDs in AP mode IGMP proxy and IGMP snooping DDNS and DHCP Port triggering for special applications Virtual server and DMZ hosting MAC/IP filter and URL blocking iQoS for smart bandwidth management Static routing UPnP architecture VPN pass-through (IPSec/PPTP) Wi-Fi schedule control Fault tolerance firmware upgrade 	<ul style="list-style-type: none"> 1 x RJ-45 Fast Ethernet WAN port 4 x RJ-45 Fast Ethernet LAN ports LED Indicators: power, wireless, WAN, LNK/ACT for LAN 1 x High-gain antenna WPS / Reset button 	<ul style="list-style-type: none"> Multi-language user interface Supports remote management System status and security log Firmware upgradable Smart iQ Setup, no CD required
WAN	SECURITY	OUTPUT POWER & RECEIVE SENSITIVITY
<ul style="list-style-type: none"> Supports WISP connection mode Supports RJ45 cable/xDSL modem Supports DNS Proxy WAN protocol: PPPoE, Static IP, Dynamic IP, PPTP, L2TP 	<ul style="list-style-type: none"> NAT/NAPT IP sharing 64/128-bit WEP encryption and WPA-PSK, WPA2-PSK security DHCP server/client QoS for critical operations SPI anti-DoS firewall 	<ul style="list-style-type: none"> Output Power <ul style="list-style-type: none"> 11b (11Mbps): 16±1.5dBm 11g (54Mbps): 14±1.5dBm 11n (20MHz, MCS7): 14±1.5dBm 11n (40MHz, MCS7): 14±1.5dBm Receive Sensitivity <ul style="list-style-type: none"> 11b(11Mbps): -83±2dBm 11g (54Mbps): -69±2dBm 11n(20MHz, MCS7): -67±2dBm 11n(40MHz, MCS7): -64±2dBm
MEMORY	HUMIDITY & TEMPERATURE	POWER ADAPTER
<ul style="list-style-type: none"> 4MB NOR Flash 32MB SDRAM 	<ul style="list-style-type: none"> 10 – 90% (Non-condensing) 0 – 45°C 	<ul style="list-style-type: none"> 5V DC, 1A
DIMENSIONS	WEIGHT	CERTIFICATIONS
<ul style="list-style-type: none"> 190mm x 162mm x 42mm 	<ul style="list-style-type: none"> 230g 	<ul style="list-style-type: none"> CE, FCC, NCC, BSMI

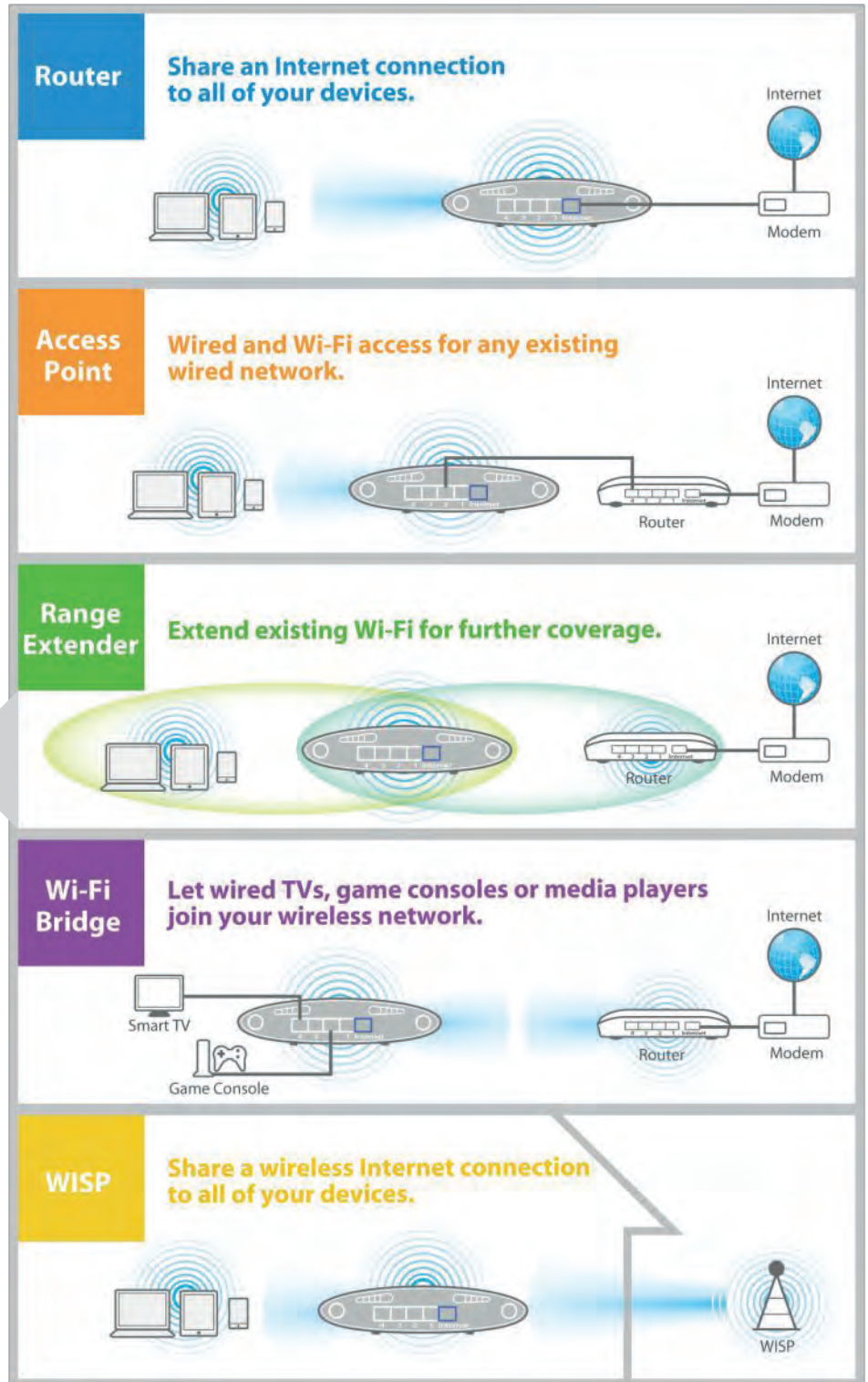
HARDWARE INTERFACE



5-in-1 N150 Wi-Fi Router, Access Point, Range Extender, Wi-Fi Bridge & WISP

BR-6228nS V3

APPLICATION DIAGRAM



Maximum performance, actual data rates, and coverage will vary depending on network conditions and environmental factors. Product specifications and design are subject to change without notice. Copyright © 2014 Edimax Technology Co. Ltd. All rights reserved. www.edimax.com